

VETO CHIPMATIC

ALA • TALKKARI



**ROBUST BURNING
DEVICE FOR BIOMASS**

VETO CHIPMATIC

Veljekset Ala-Talkkari has over 50 years of experience in manufacturing heating devices for domestic fuel. From the beginning, the company has participated in national development work concerning domestic energy. Veto Chipmatic is a result of this project that has focused in manufacturing easy to use devices. The burner is attached to the boiler's side like an oil burner, and it functions just like an oil burner based on the boiler's temperature but uses only solid fuels, such as wood chips, peat, pellets, briquettes or energy grain. The devices are tested according to the EN-303-5 standard (VTT, Vakola, BLT Wiesenburg, SP, Teknologisk Institut). The delivery includes a logic-based control centre, a boiler thermostat, a water fire-protection system, flame monitoring, an overheating thermostat of the feeding tube, and a main switch.



A-T Log 1 is a logic-based control centre

Large fuel silo

The standard volume of the fuel silo is 1 m³, and the volume can be increased with three extension silos of a different model.

- straight extension silo 1 m³
- cone extension silo 1,75 m³
- side loaded extension silo 3 m³

Robust auger feed

Especially designed auger ensures a high operating power guaranteeing an even fuel flow from the silo to the burner head even with varying fuels.

High efficiency

A high burning efficiency throughout the range is guaranteed by precise control of the feeding device and the correct shape of the burner head ensuring and the clean combustion.

Burner options

The following burners are available: 40 kW, 60 kW, 80 kW, 80 kW with a moving grate, 120 kW, or 120 kW with a moving grate. The burner is constructed from cast elements ensuring a clean burning process.

Long service life

Thorough planning and carefully selected materials guarantee a long service life.

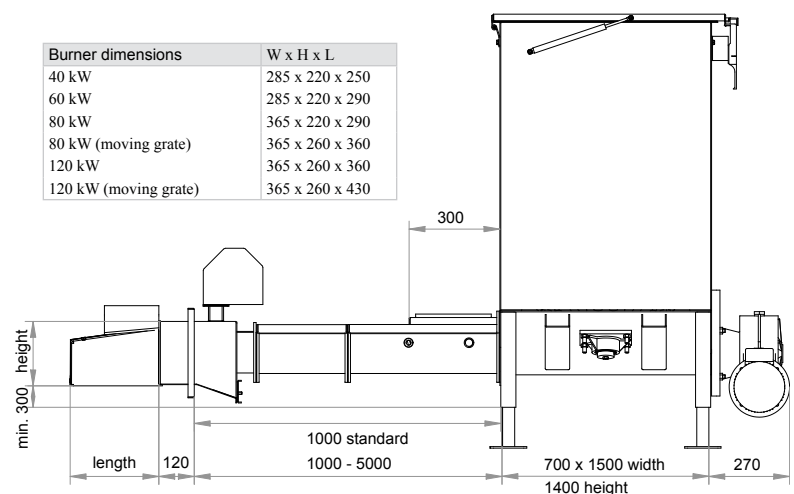
Safety

The device has an automated burn-back control system, a water tank, and a wax plug. The control panels have been approved by the Finnish inspection centre for electrical apparatus.



Veto Chipmatic and a cone extension silo 1,75 m³

Burner dimensions	W x H x L
40 kW	285 x 220 x 250
60 kW	285 x 220 x 290
80 kW	365 x 220 x 290
80 kW (moving grate)	365 x 260 x 360
120 kW	365 x 260 x 360
120 kW (moving grate)	365 x 260 x 430



4/2009

Manufactured:

ALA • TALKKARI

Veljekset Ala-Talkkari Oy
 Hellanmaantie 619
 FIN - 62130 HELLANMAA
 Tel: +358 6 4336 333, Fax: +358 6 4376 363
 www.ala-talkkari.fi

Dealer: