

2-6 m³

**Heat your house
by using bio fuel!**

VELJEKSET ALA-TALKKARI OY

Veto 6

Solid Fuel Burning Device



ALA • TALKKARI

VETO 6 - UP-TO-DATE BURNING DEVICE

Veto 6 is an up-to-date burning device with two strong, spring-equipped mixer plates ensuring a constant fuel feed. These plates enable the use of various solid fuels like wood chips, peat, pellets and briquettes.

Veto 6 provides a 2 m³ hopper base, with silo extensions available as optional extra (either 0.5 m³, 2 m³ or 4 m³). This device can be equipped with various burners between 40 kW and 120 kW - most of them available also with moving grates (mg.). The air-tight lid of the silo, the AVT-A valve, beeswax plug and the burnback control system are designed to assure a safe function of the appliance.



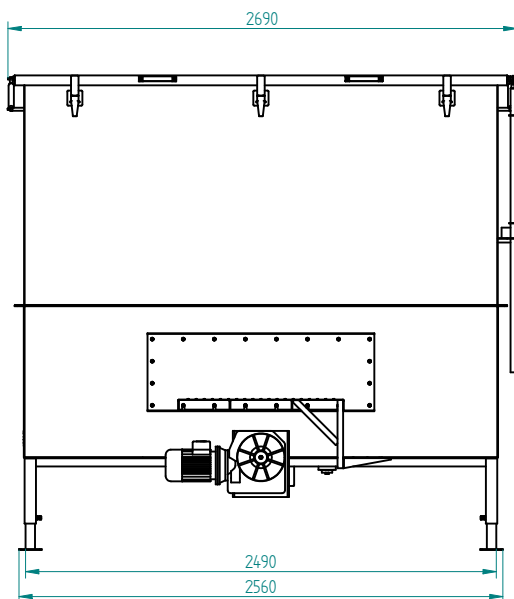
| TECHNICAL SPECIFICATIONS: | |
|---|--|
| Volume of hopper (base + extension) | 2 - 6 m ³ |
| Type of hopper | air tight |
| Dimension of hopper base | 1370 mm (depth) 2600 mm (width) 1200 mm (height) |
| Method of feeding fuel | 2 x mixer plates with springs attached |
| Feed screw diameter | Ø 125 x 10 mm |
| Feed screw length | 1000 - 5000 mm |
| Number of feed screws (output) | 1 (1,1 kW) |
| Voltage 400 V/3 phase | yes |
| Logic based A-T Log 1 control centre | yes |
| Burnback control | triple |
| Flame control | yes |
| Burner output | 40 - 120 kW |
| Fan | yes |
| Lambda control centre | optional |
| Rotary feeder | optional |



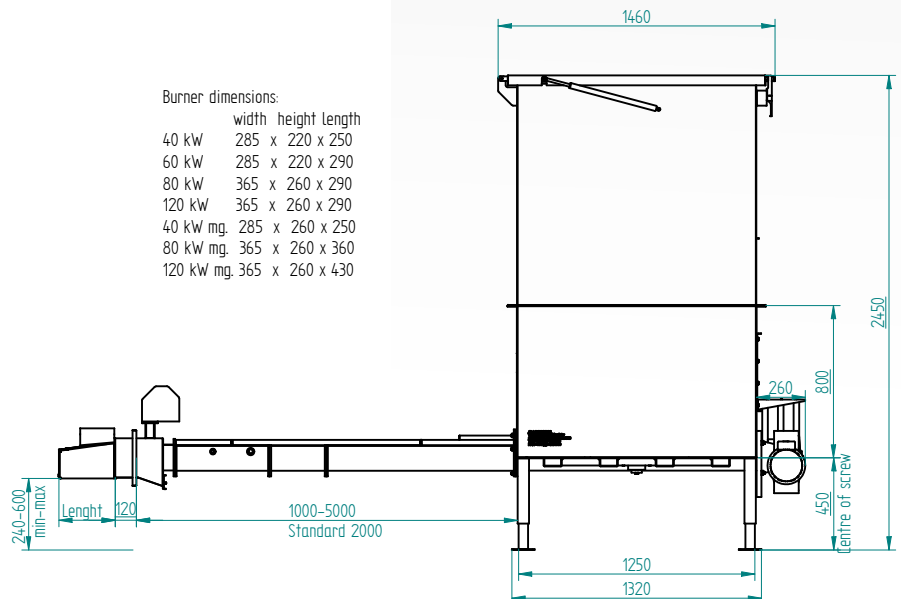
The hopper base of Veto 6 can also be delivered with a collar to be installed on top of the base and a lid equipped with gas spring, which give the hopper a total volume of 3 m³.



The springs attached to the mixer plates transfer fuel to the feed screw evenly from the whole bottom area – and with low power consumption.



| Burner dimensions: | width | height | length |
|--------------------|-------|--------|--------|
| 40 kW | 285 | 220 | 250 |
| 60 kW | 285 | 220 | 290 |
| 80 kW | 365 | 260 | 290 |
| 120 kW | 365 | 260 | 290 |
| 40 kW mg. | 285 | 260 | 250 |
| 80 kW mg. | 365 | 260 | 360 |
| 120 kW mg. | 365 | 260 | 430 |



Veljekset Ala-Talkkari Oy | Hellanmaantie 619 | FIN-62130 HELLANMAA
tel: +358 0 433 6333 | fax: +358 0 437 6363 | www.ala-talkkari.fi

The manufacturer reserves the right to change any design or specification without prior notice. Correct at time of printing.